

# SEAL WMP-22P / WMP-24P-IP54 PPC

Fanless medical panel PC with 21.5" and 23.8" display and 12th Generation Intel® Core™ CPU

**BRESSNER**  
A ONE STOP SYSTEMS COMPANY

## Features

- 21.5" and 23.8" Medical Panel PC
- Intel® Core™ i7 /i5/i3 12th Generation CPU
- IP65 on the front and IP54 on the back
- Antibacterial (MRSA) plastic housing
- Fanless solution



SEAL WMP-24P-IP54

SEAL WMP-22P-IP54

## High-performance Panel PC for demanding medical applications

These 21.5-inch and 23.8-inch medical panel PCs have been specially designed for use in the medical sector, offering exceptional performance and versatility with its latest generation Intel® Core™ processors. Equipped with a high-performance Intel® 12th Generation Core i CPU, it ensures efficient and reliable processing of medical data and applications.

### Robust and Hygienic Design

The panel PCs feature an antibacterial plastic housing that is MRSA-resistant, making it ideal for use in hospitals, doctors' surgeries, and operating rooms. Its high-resolution with up to 250 cd/m<sup>2</sup> brightness, delivers clear and sharp visuals. The fanless design ensures quiet, maintenance-free operation.

### Additional Features and Protection

With an optional UPS battery (100 watts max) for uninterrupted power supply and an IP65-certified front that protects against dust and water, this panel PC is well-suited for the rigorous demands of medical environments. Its slim design and high connectivity make it an exce

## Apperance



SEAL WMP-22P-IP54



SEAL WMP-24P-IP54



# SEAL WMP-22P / WMP-24P-IP54 PPC

Fanless medical panel PC with 21.5" and 23.8" display and 12th Generation Intel® Core™ CPU

**BRESSNER**  
A ONE STOP SYSTEMS COMPANY

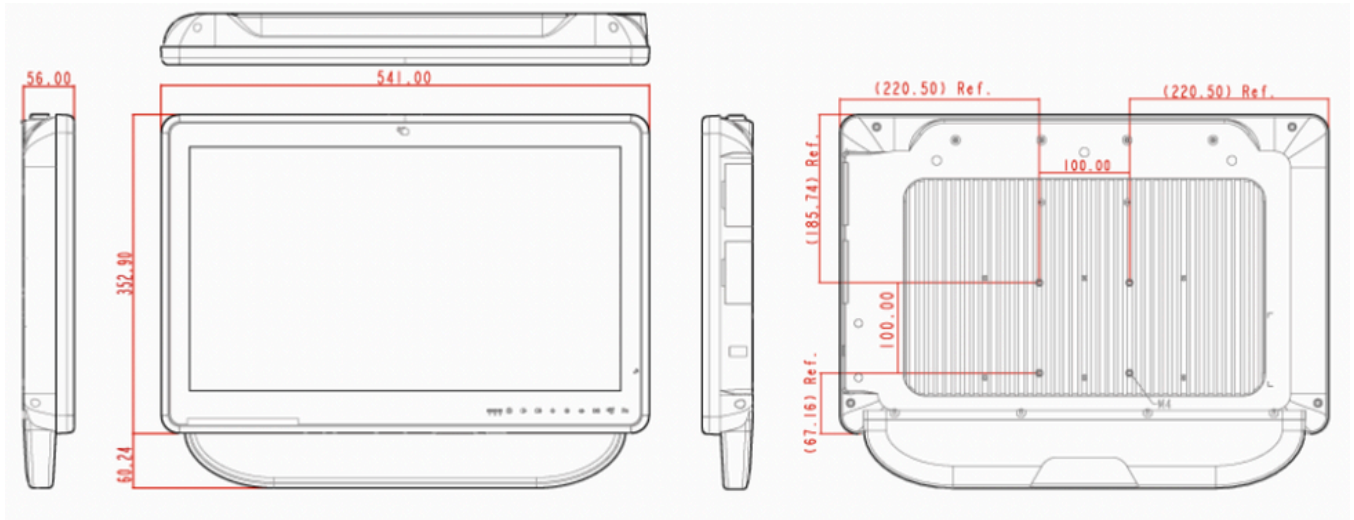
	SEAL WMP-22P-IP54	SEAL WMP-24P-IP54
<b>SYSTEM</b>		
CPU	FCBGA1744 Intel® 12th Gen. Core i7/i5/i3 & Celeron processor (15W Max.) / SoC support Vpro of Core i7/i5 CPU	
Graphics	Intel® Iris Xe graphics (i7/i5 CPU) or Intel® UHD graphics (i3 CPU)	
RAM	2x DDR5 SO-DIMM 4800MHz socket, supports Dual Channel, non-ECC, up to 64GB	
Storage	1x M.2 M-Key 2280 with PCIe x4 for SSD 1x 2.5" SATA III SSD/HDD drive bay	
Expansions	1x PCIe x4 (40W max.) 1x M.2 E Key	
Operating System	Optional Windows 10 IoT Enterprise LTSC or Windows 11 IoT Enterprise GAC	
<b>DISPLAY</b>		
Display Size	21.5" (54.6cm)	23.8" (60.5cm)
Resolution	1920 x 1080 (Full HD)	1920 x 1080 (Full HD)
Touchscreen	Projected capacitive multi-touch panel	Projected capacitive multi-touch panel
Brightness	250 nits	250 nits
Aspect Ratio	16:9	16:9
<b>INTERFACE</b>		
Ethernet	1x RJ-45 1.0 Gbps 1x RJ-45 2.5 Gbps	
USB	4x USB 3.2 Gen 2	
COM	1x RS-232/422/485 1x RS-232	
Video	1x HDMI 2.0 1x HDMI (Video-In) 1x DisplayPort 1.4a	
Audio	1x 3.5mm (line-out and mic-in) 2x 2-watt speakers and integrated microphone (on the underside of the housing)	
Power	1x 14~24V DC-in	
<b>ENVIRONMENTAL</b>		
Enclosure	Front: Fully flat design / touch (standard) / glass (customized) Back: White plastic with antibacterial (MRSA) housing	
Cooling	Fanless design with external heat sink	
Power Supply	1x DC input 14 ~ 24V Optional: 1x DR-202 UPS battery	
Operating Temperature	0~40°C (Burn-in, not airtight, with battery 0~35°C)	
Storage Temperature	-20°C ~ 60°C	
Humidity	10% ~ 90% non-condensing	
Dimensions	541 (H) x 352.9 (W) x 56mm (D)	594 (H) x 397 (W) x 56mm (D)
Weight	7.0 kg (without power adapter/battery)	9.0 kg (without power adapter/battery)
Mounting	VESA mounting 100 x 100mm	
IP Rating	Front IP65 Rear IP54	
Certifications	CE: EN IEC 60601-1-2:2015/A1:2021(Ed 4.1) EN 60601-1: 2006/A2:2021; IEC 60601-1:2005, IEC 60601-1:2005/AMD1:2012, IEC 60601-1:2005/AMD2:2020 VCCI: 2016-II, Class B (PSU/battery with PSE) / FCC: Part 18 Class B UL: AAMI ES60601-1:2005/(R)2012 and A1:2012/(R)2012 and A2:2021 as part of a project cUL: CAN/CSA-C22.2 No. 60601-1:14 as part of the project ISO 14971 / IEC62133	

## SEAL WMP-22P / WMP-24P-IP54 PPC

Fanless medical panel PC with 21.5" and 23.8" display and 12th Generation Intel® Core™ CPU

**BRESSNER**  
A ONE STOP SYSTEMS COMPANY

### Technical drawing (mm) - 21.5"



### Technical drawing (mm) - 23.8"

