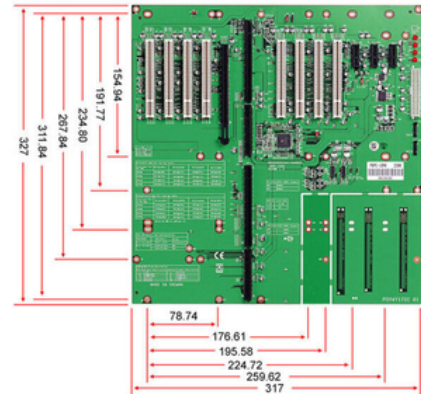


# PBPE-13A8

Industrial-grade PICMG 1.3 backplane with 13 slots and 24-pin ESP 12V power connector support

## Features

- PICMG 1.3 industrial backplane
- 1x PCIe x16 + 3x PCIe x1 slot
- 8x PCI slot
- 4x USB ports
- Dual SATA ports



## PBPE-13A8: Active PICMG backplane with increased number of PCI/PCIe slots

The PBPE-13A8 by BRESSNER Technology represents an innovative third generation of active PICMG backplanes. This backplane offers an increased number of PCI/PCIe slots and features a 24-pin ESP 12V Power Connector support, ensuring a reliable power supply to all connections. Ideal for industrial applications, the advanced backplane is well-suited for integration into a 4U rack server, with its space-efficient form factor of 317 x 283mm being of crucial importance.

Distinguished by its active chipset, the PBPE-13A8 stands out from conventional backplanes with passive components. It provides the capability to utilize an impressive number of PCI slots, reaching up to 18. With a total of 13 PICMG 1.3 slots (Non-Server Grade), the industrial backplane includes three PCIe x1, one PCIe x16, and eight PCI interfaces. Complemented by four USB ports and a Dual SATA port, the comprehensive connectivity allows for the seamless integration of various expansion cards and support for peripheral devices.

The PBPE-13A8 is not only known for its remarkable slot diversity but also for its robust performance and the ability to ensure a stable power supply. Explore the PBPE-13A8 as a groundbreaking solution that elevates your industrial systems to a new level with its innovative technology and top-notch construction.

| Specifications | PICMG 1.3 Backplane: PBPE-13A8  |
|----------------|---|
| Form Factor    | Backplane with 13 slots   |
| Format         | PICMG 1.3 (non-server grade)  |
| Slots          | 3x PCIe x1 slots<br>1x PCIe x16 slot<br>8x PCI slots<br>4x USB ports<br>1x Dual SATA port |