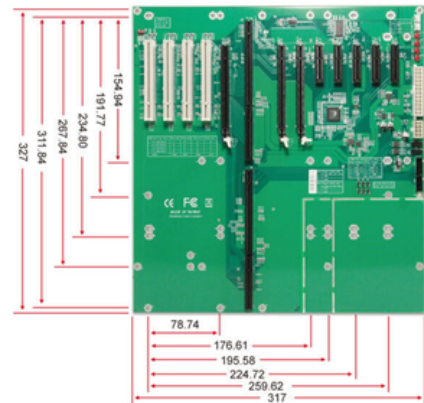


# PBPE-13A4

Industrial-grade PICMG 1.3 backplane with 13 slots fit for 4U chassis

## Features

- PICMG 1.3 industrial backplane
- 3x PCIe x16 + 5x PCIe x4 slots
- 4x PCI slots
- 4x USB ports
- Dual SATA ports



## PBPE-13A4: Active PICMG 1.3 backplane (non-server grade) with increased number of PCI/PCIe slots

The PBPE-13A4 by BRESSNER Technology represents an advanced active PICMG backplane with an increased number of PCI/PCIe slots, specifically designed for industrial applications, such as integration into a 4U rack server. With its compact form factor of 317 x 327mm, the backplane is particularly space-efficient.

Distinguished by its active chipset, the PBPE-13A4 sets itself apart from conventional backplanes with passive components. It facilitates an impressive number of PCIe/PCI slots, reaching up to 18 slots. This innovative technology opens up new possibilities for system expansion and customization. Featuring a total of 13 PICMG 1.3 slots (Non-Server Grade), the PBPE-13A4 includes five PCIe x4, three PCIe x16, and four PCI interfaces. Additionally, it incorporates four USB 2.0 ports and dual SATA ports. This comprehensive connectivity allows for the seamless integration of various expansion cards and peripheral devices.

The industrial backplane not only stands out for its remarkable slot diversity but also for its reliability and performance in industrial environments. This model, with its innovative active backplane, introduces new perspectives for demanding industrial applications where an increased number of PCI/PCIe slots is crucial. Explore the PBPE-13A4 as a groundbreaking solution that elevates your industrial systems to a new level.

Specifications	PICMG 1.3 Backplane: PBPE-13A4
Form Factor	Backplane with 13 slots
Format	PICMG 1.3 (non-server grade)
Slots	1x PCIe x16 slot 2x PCIe x16 slots (x1 signal) 5x PCIe x4 slots (x1 signal) 4x PCI slots 4x USB ports 1x Dual SATA port