

# ORCA Full IP66 – J6412 series

High-performance panel PCs with corrosion-free Full IP66 stainless steel housing for industrial applications

**BRESSNER**  
A ONE STOP SYSTEMS COMPANY

## Features

- 15" ~ 21.5" industrial panel PCs
- Intel® Celeron® J6412 quad-core processor
- Robust stainless steel housing with IP66 to IP69K protection
- Fanless design for reliable operation
- Screen touch lock function for safe use in production environments



## ORCA Full IP66 – J6412 series: Robust stainless steel panel PCs for industrial applications with Intel® Celeron® J6412 processor

The ORCA Full IP66 – J6412 series has been specially developed for demanding industrial environments. With their fully sealed stainless steel housing and IP66 to IP69 protection, these Panel PCs offer optimum protection against dust, water and corrosion. The fanless design with efficient heat sinks ensures reliable and stable operation, even under extreme conditions. Powered by the Intel® Celeron® J6412 quad-core processor, the new generation ensures improved performance in industrial applications. The integrated Intel UHD Graphics enables high-resolution images on various display options.

### High-quality touch displays for maximum visibility

The ORCA Panel PCs offer different screen sizes with excellent image quality. Users can choose between 15", 19" or 21.5" display diagonals. With a resolution of up to 1920 × 1080 Full HD and a brightness of up to 350 cd/m<sup>2</sup>, they ensure optimum visibility even in bright environments. The resistive touchscreen technology enables precise operation and has an optional screen touch lock function to prevent unintentional input. These features make ORCA Panel PCs ideal for process automation, control technology, optical monitoring and digital signage.

### Flexible connection options for versatile applications

The ORCA Full IP66 – J6412 series offers a wide range of interfaces to enable flexible integration into industrial networks. These include up to 32GB DDR4 RAM and various storage options, including a fast NVMe SSD. Thanks to the robust M12 connectors, serial interfaces such as RS-232 & RS-232/422/485 as well as Gigabit LAN are reserved for a reliable network connection. Various peripheral devices can be connected via the USB ports, while a mini PCIe slot enables the optional integration of a WLAN 802.11ac module.

For even more robustness and flexibility, the ORCA Panel PCs are optionally equipped with IP67 M12 stainless steel connectors. A special cable gland ensures a secure and watertight connection of external I/O interfaces. Rigorous quality testing ensures a fully watertight construction so that these devices can operate reliably even in the harshest industrial environments.

## Appearance



# ORCA Full IP66 – J6412 series

High-performance panel PCs with corrosion-free Full IP66 stainless steel housing for industrial applications

**BRESSNER**  
A ONE STOP SYSTEMS COMPANY

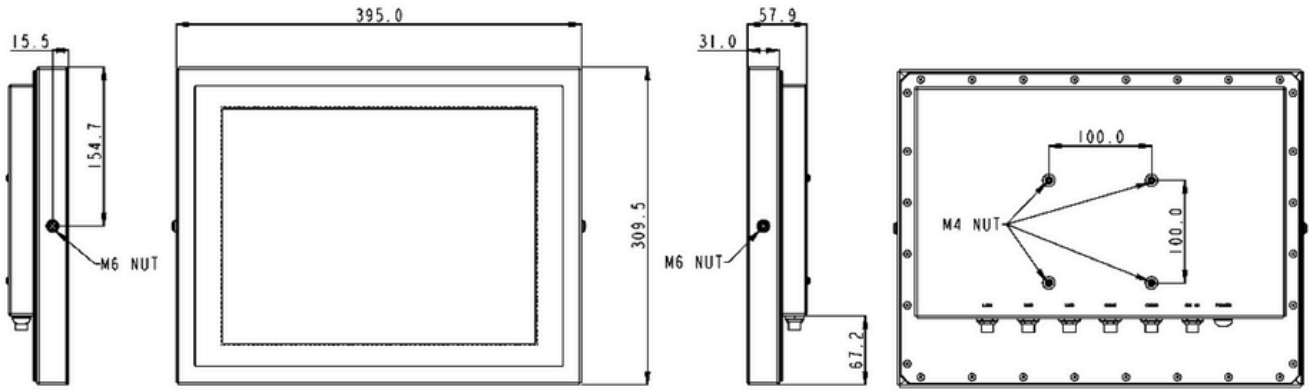
	15"	19"	21.5"
<b>SYSTEM</b>			
CPU	Intel® Celeron® 6412 CPU Quad-Core, 2.0~2.60 GHz, 10W		
Graphics	Intel® Gen 11 UHD Graphics		
RAM	2x DDR4 SO-DIMM 3200 MHz socket, dual channel support, up to 32GB		
Storage	1x 2.5" SATA HDD drive bay 1x M.2 (M-Key 2242/2260/2280) SATA3 & PCIe for SSD		
Expansions	1x PCIe x1 Gen3 1x M.2 (E-Key 2230) with PCIe x1 and shared USB 2.0 for wireless, 1x M.2 (B-Key, 3042/3052) with PCIe x1/USB 3.2/USB 2.0 SIM for 4G/5G 1x SIM socket connected with M.2 B-Key		
Operating System	Windows 10, Windows 11 (optional)		
<b>DISPLAY</b>			
Display Size	15" (38.1cm)	19" (48.3cm)	21.5" (54.6cm)
Resolution	1024 x 768 (XGA)	1280 x 1024 (SXGA)	1920 x 1080 (Full HD)
Touchscreen	Flat resistive touch panel or full flat PCAP touch	Flat resistive touch panel or full flat PCAP touch	Flat resistive touch panel or full flat PCAP touch
Brightness	350 nits	350 nits	250 nits
Aspect Ratio	4:3	5:4	16:9
Contrast	800:1	1000:1	1000:1
Viewing Angle	160(H) / 150(V)	170(H) / 160(H)	170(H) / 160(V)
<b>INTERFACE</b>			
Ethernet	<b>Standard M12-connector:</b> 1x M12 (8-Pin) LAN (2.5 Gigabit) <b>Optional cable gland[1]:</b> 1x 1 Gigabit LAN, 1x 2.5 Gigabit LAN		
USB	<b>Standard M12-connector:</b> 1x M12 (8-Pin) for USB 2.0 I/2, 1x M12 (8-Pin) for USB 2.0 3/4 <b>Optional cable gland[1]:</b> 2x USB 3.2, Gen1, 2x USB 2.0		
COM	<b>Standard M12-connector:</b> 2x M12 (8-Pin) for RS-232 <b>Optional cable gland[1]:</b> 2x RS-232/422/485		
Video	<b>Standard M12-connector:</b> N/A <b>Optional cable gland[1]:</b> 1x HDMI 2.0b, 1x VGA		
Audio	<b>Standard M12-connector:</b> N/A <b>Optional cable gland[1]:</b> 2x 3.5 mm phone jack connector (line-out and mic-in)		
Power	1x M12 (5-Pin) power connector		
Other	1x Control keys ON-OFF		
<b>ENVIRONMENTAL</b>			
Chassis	Stainless steel chassis type (SUS304)		
Cooling	Fanless		
Power Adapter	Power supply: DC 12V ~ 28V Power supply unit: AC input 100~277V / 47 ~ 63 Hz, DC output 24V, 120 W (IP68 power supply with PSE)		
Operating Temperature	0 ~ 40°C (24V DC, IEC60068-2-56, HDD) 0 ~ 50°C (24V DC, IEC60068-2-56, SSD)		
Storage Temperature	-20°C ~ 60°C		
Humidity	10% ~ 90% non-condensing		
Dimensions (W x H x D)	395 x 309.5 x 58mm	458 x 386 x 64mm	557 x 348.5 x 58.5mm
Weight	8.4kg	11.5kg	12kg
Mounting	VESA (100 x 100), side mount (2x M6)		
IP Rating	Full IP66 / NEMA4X / IP69K / IK05		
Certifications	CE (EMC) FCC Class B, Canada ICES-003 VCCI Class B		

[1] Cable gland: Max. 5 external I/O by proper grommet

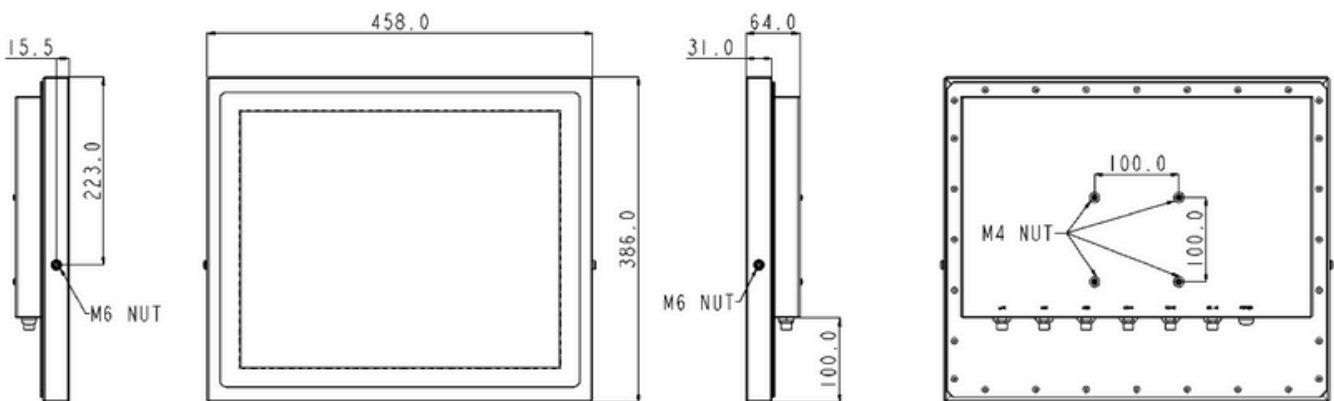
# ORCA Full IP66 – J6412 series

High-performance panel PCs with corrosion-free Full IP66 stainless steel housing for industrial applications

## Technical drawing (mm) - 15"



## Technical drawing (mm) - 19"



## Technical drawing (mm) - 21.5"

