

# ORCA Full IP66 – Core™ 12th Gen.

Hygienic Full IP66/IP69K panel PCs for the food, chemical and pharmaceutical industries

**BRESSNER**  
A ONE STOP SYSTEMS COMPANY

## Features

- 15" ~ 24" stainless steel panel PC
- Intel® Core™ 12th generation Alder Lake-P processors
- IP66/IP69K protection with corrosion-resistant stainless steel housing
- Optional IP67 M12 stainless steel connectors
- Compact design with low installation depth



## ORCA Full IP66 Core™ 12th Gen. series: High-performance stainless steel panel PCs for demanding industrial environments

The ORCA Full IP66 Core™ 12th Gen. Series has been specially developed for use in challenging industrial environments. The fully sealed stainless steel housing offers protection to IP66 standard and optionally up to IP69K, making it resistant to dust, water and high-pressure cleaning. The fanless design with advanced heat sinks enables reliable operation in ambient temperatures of up to 50°C.

### Powerful 12th generation Intel® Core™ processors

Equipped with the latest 12th generation Intel® Core™ i7/i5 processors (Alder Lake-P), the ORCA Panel PCs offer outstanding computing power for demanding industrial applications. The integrated Intel® Gen 12 Graphics ensures excellent graphics display and supports high-resolution content.

The series offers LED LCD touchscreens with screen diagonals of 15", 19", 21.5" and 24". With a maximum resolution of 1920 × 1080 and a brightness of up to 350 cd/m<sup>2</sup>, the displays guarantee a clear and bright display, even in bright environments. The projected capacitive touch technology or optional resistive touch enables precise and responsive operation.

### Versatile connection options and extensions

The ORCA Panel PCs have up to 64 GB DDR4 RAM and offer various storage options, including M.2 SSDs for fast and reliable data storage. Interfaces include USB 3.2, COM ports and Gigabit LAN connections. An M.2 expansion slot enables the integration of WLAN modules for wireless connectivity.

With their robust design, powerful hardware and versatile connectivity options, ORCA Panel PCs are the ideal choice for demanding industrial applications where reliability and performance are critical.

## Appearance



# ORCA Full IP66 – Core™ 12th Gen.

Hygienic Full IP66/IP69K panel PCs for the food, chemical and pharmaceutical industries

**BRESSNER**  
A ONE STOP SYSTEMS COMPANY

	15"	19"	21.5"	24"
<b>SYSTEM</b>				
CPU	Intel® Core® processors of the 12th generation (Alder Lake-P MCP), 15W			
Graphics	Intel® Gen 12 graphics			
RAM	2x 260 DDR4 3200 MHz SODIMM, up to 64GB, Dual Channel			
Storage	1x 2.5" SATA HDD drive bay (with anti-vibration mechanism) 1x M.2 (M-Key, 2242/2260/2280) with PCIe Gen4 x4 for SSD			
Expansions	1x M.2 (B-Key, 3042/3052) with PCIe x1, USB 3.2, USB 2.0 and SIM for 4G/5G 1x SIM socket connected with M.2 B-Key 1 x M.2 (E-Key, 2230) with PCIe, USB 2.0 and CNVi for wireless			
TPM 2.0	TPM 2.0			
Operating System	Optional Windows 10 (64bit), Windows 11 (64bit)			
<b>DISPLAY</b>				
Display Size	15" (38.1cm)	19" (48.3cm)	21.5" (54.6cm)	24" (61cm)
Resolution	1024 x 768 (XGA)	1280 x 1024 (SXGA)	1920 x 1080 (Full HD)	1920 x 1080 (Full HD)
Touchscreen	PCAP or flat resistive touch panel	PCAP or flat resistive touch panel	PCAP or flat resistive touch panel	PCAP touch
Brightness	350 nits	350 nits	250 nits	250 nits
Aspect Ratio	4:3	5:4	16:9	16:9
Contrast	800:1	1000:1	1000:1	3000:1
Viewing Angle	160(H) / 150(V)	170(H) / 160(H)	170(H) / 160(V)	178(H) / 178(V)
<b>INTERFACE</b>				
Ethernet	<b>Standard M12-connector:</b> 1x M12 (8-Pin) for LAN 1 <b>Optional cable gland[1]:</b> 2x RJ-45 2.5 Gigabit Ethernet			
USB	<b>Standard M12-connector:</b> 1x M12 (8-Pin) for USB 2.0 3/4, 1x M12 (8-Pin) for USB 2.0 3/4, 1x USB 3.2 Gen2 Typ-C (Support DPI.4a display output, power output 5V/3A) <b>Optional cable gland[1]:</b> 2x USB 2.0, 2x USB 3.2, Gen2, 2x USB 3.2, Gen 2 Type C (Support DPI.4a display output, power output 5V/3A)			
COM	<b>Standard M12-connector:</b> 2x M12 (8-Pin) for RS-232/422/485 (COM1 / COM2) <b>Optional cable gland[1]:</b> 2x RS-232/422/485			
Video	<b>Standard M12-connector:</b> N/A <b>Optional cable gland[1]:</b> 2x HDMI 2.0b, 2x Typ-C (Support DPI.4a display output, power output 5V/3A)			
Audio	<b>Standard M12-connector:</b> N/A <b>Optional cable gland[1]:</b> 2x 3.5 mm phone jack connector (line-out and mic-in)			
Other	1x Control keys ON-OFF (Rear), 1x Brightness UP/DOWN (Side)			
<b>ENVIRONMENTAL</b>				
Chassis	Stainless steel chassis type (SUS304)			
Cooling	Fanless			
Power Adapter	Power supply: DC 12 ~ 28V / Power adapter: AC input 100 ~ 277V / 47 ~ 63 Hz / DC output 24V, 5A, 120W, IP68			
Operating Temperature	0°C ~ 40°C (24V DC, IEC60068-2-56, air flow cooling, HDD) / 0°C ~ 50°C (24V DC, IEC60068-2-56, air flow cooling, SSD)			
Storage Temperature	-20°C ~ 60°C			
Humidity	10% ~ 90% non-condensing			
Dimensions (W x H x D)	395 x 309.5 x 58mm	458 x 386 x 64mm	557 x 348.5 x 58.5mm	626.6 x 396.1 x 64mm
Weight	8.4kg	11.5kg	12kg	14.8kg
Mounting	VESA (100 x 100), side mount (2x M6)			
IP Rating	Full IP66 / NEMA4X / Full IP69K			
Certifications	CE (EMC) / FCC-B / VCCI Class B, Canada ICES-003			

[1] Cable gland: Max. 5 external I/O by proper grommet

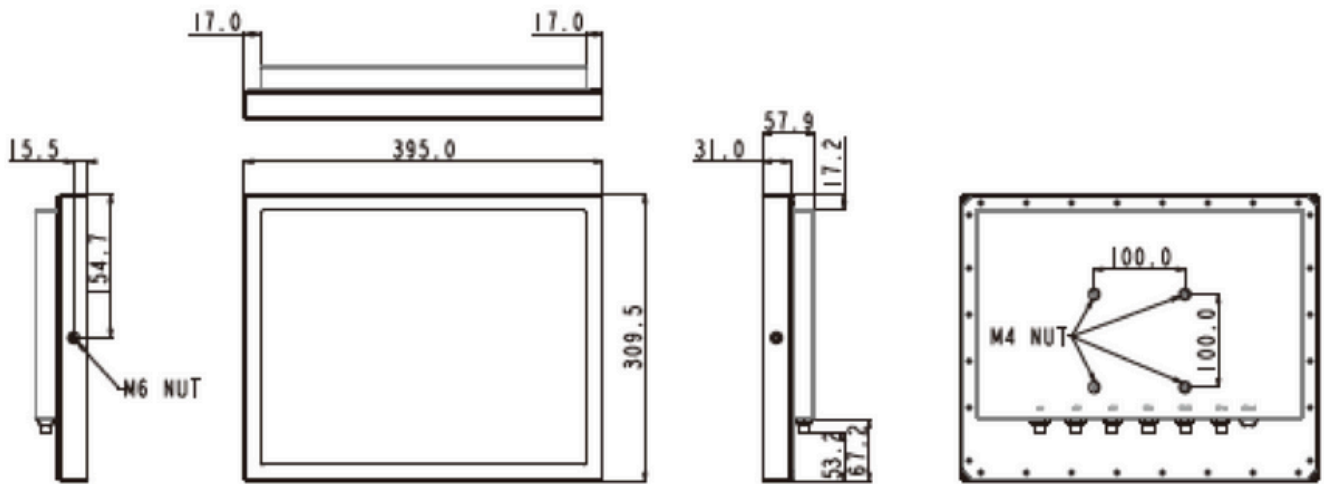
Last update: January 2025 - Specifications are subject to change without notification

[www.bressner.de](http://www.bressner.de)

# ORCA Full IP66 – Core™ 12th Gen.

Hygienic Full IP66/IP69K panel PCs for the food, chemical and pharmaceutical industries

## Technical drawing (mm) - 15"



## Technical drawing (mm) - 19"

