

Nuvo-7531

Compact fanless embedded PC with 8th or 9th Gen Intel® Core™ processor

Features

- Intel® Core™ i7/i5/i3 8th/9th Gen
- Up to 32 GB DDR4 2666/ 2400 SDRAM
- Intel® H310 Chipset
- 1x Hot-Swappable 2,5" HDD/SSD
- 4x GbE. 4x USB 3.1, 8x DIO



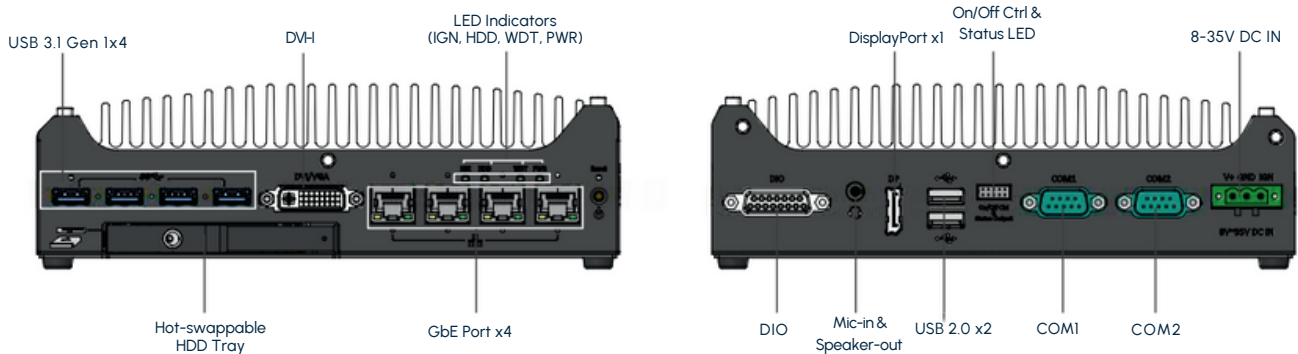
Nuvo-7531 – Strong computing power and robust design

The Nuvo-7531 is a highly compact fanless embedded controller that supports Intel® 8th/9th Gen Core™ CPUs. With dimensions of just 212 x 165 x 63 mm, it easily fits into the smallest spaces while delivering exceptional performance. Designed for a range of industrial applications, this compact system combines power and versatility in a space-saving design.

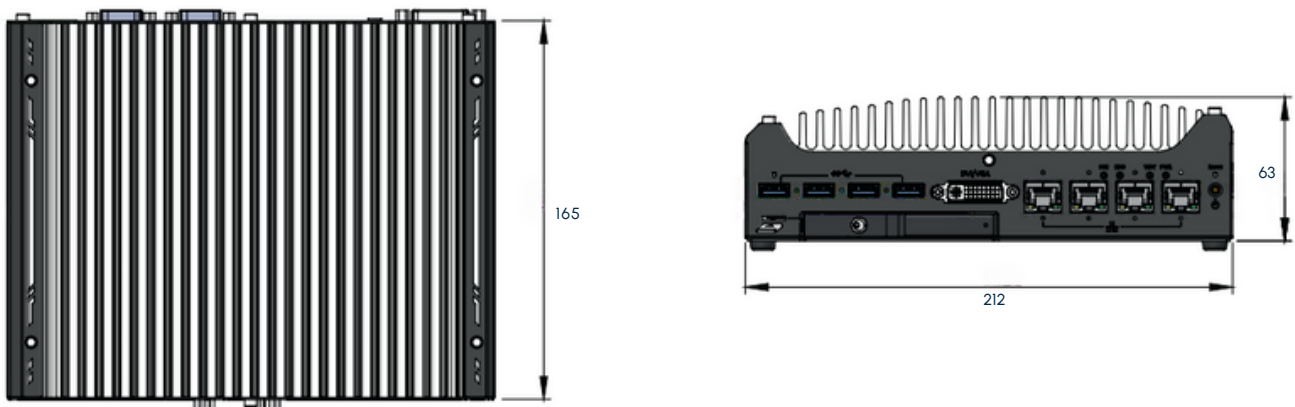
Equipped with a variety of I/O features, the embedded PC includes four GbE and four USB 3.1 ports, enabling the connection of multiple cameras or other devices. A hot-swappable hard drive bay allows for easy memory replacement without shutting down the system or opening the housing. Additionally, three Mini-PCIe sockets support expansion modules such as 3G/4G or Wi-Fi for wireless data exchange. With 8x DIO, 2 COM ports, and dual monitor outputs, the system is highly adaptable to diverse application requirements.

Offering outstanding processing power in a compact form factor, the Nuvo-7531 is ideal for industrial environments where space is limited. Its versatile I/O capabilities and expandability make it a reliable solution for demanding applications.

Appearance



Dimensions (mm)



Nuvo-7531

Compact fanless embedded PC with 8th or 9th Gen Intel® Core™ processor

Specifications

	Nuvo-7531
SYSTEM	
CPU	Intel® Xeon® E and 9th/ 8th-Gen CPU (LGA1151 Socket) i7-9700E, i7-9700TE, i7-8700, i7-8700T i5-9500E, i5-9500TE, i5-8500, i5-8500T i3-9100E, i3-9100TE, i3-8100, i3-8100T
Chipset	Intel® H310
Graphics	Intel® UHD Graphics 630
Memory	Up to 32GB DDR4 2466/2400 SDRAM (1x SODIMM slot)
Storage	1x Hot-swap HDD tray for 2.5" HDD/SSD integration 1x M.2 2280 SATA interface 3x Full-size mini PCI Express sockets
Expansion	2x PCIe x16 slots @Gen3, 8-lanes 2x PCIe x8 slots @Gen3, 4-lanes 1x M.2 2242 B Key socket; supports dual SIM mode 2x Full-size Mini PCI Express sockets
INTERFACE	
Ethernet	4x Gigabit Ethernet ports
USB	4x USB 3.1 Gen1 (5 Gbps) ports 2x USB 2.0 ports
COM	2x RS-232/ 422/ 485 ports (COM1/ COM2)
Digital I/O	4-CH isolated DI and 4-CH isolated DO
Video	1x DVI-I for DVI/VGA output 1x DisplayPort
Audio	1x 3.5 mm for Mic-in and speaker
ENVIRONMENTAL	
Power Supply	1x 3-pin pluggable terminal block for 8~35V DC input with optional ignition power control
Remote Control & LED	1x 10-pin (2x5) pin header for remote on/off control and status LED output
Operating Temperature	With 35W CPU: -25° ~ 60°C * / ** With over 65W CPU (optional fan kit required): -25° ~ 60°C * / **
Storage Temperature	-40°C ~ 85°C
Vibration/Shock Resistance	Vibration: Operation, MIL-STD-810G, Method 514.6, Category 4 Shock: Operation, MIL-STD-810G, Method 516.6, Procedure I, Table 616.6-II
Humidity	10% ~ 90%, non-condensing
Dimensions	(W x D x H): 212 x 165 x 63 mm
Weight	2.5kg
Mounting	Wall-mount/DIN-Rail
Certifications	CE/FCC Class A, according to EN 55024 & EN 55032 Safety: EN62368-1

** For sub-zero temperatures, a wide-temperature HDD or SSD is required.

** With i7 CPUs, thermal throttling may occur at ambient temperatures of 60°C during sustained full load.

Nuvo-7531

Compact fanless embedded PC with 8th or 9th Gen Intel® Core™ processor



Ordering Information

	Nuvo-7531	Nuvo-7531 (with optional Ignition Power Control)
CPU	Intel® Core™ i7/ i5/ i3 8th/9th Gen	Intel® Core™ i7/ i5/ i3 8th/9th Gen
Features	4x Gigabit Ethernet ports 4x USB 3.1 Hot-swap HDD tray	4x Gigabit Ethernet ports 4x USB 3.1 Hot-swap HDD tray

Optional Accessories

PA-120W-OW	120W AC/ DC power adapter 20V/ 6A; 18AWG/ 120cm; cord end terminals for terminal block, operating temperature : -30 to 70 °C
DINRAIL-31	DIN-rail mounting assembly for Nuvo-7501 series
Fan kit	Fan kit with 92mm fan for Nuvo-7531 series